

# Specification Sheet

## UrBin Rear Loader

Series: UrBin Rear Loader

Sheet: 1 of 2

Date: August 2010

Subject: Technical Information & Data

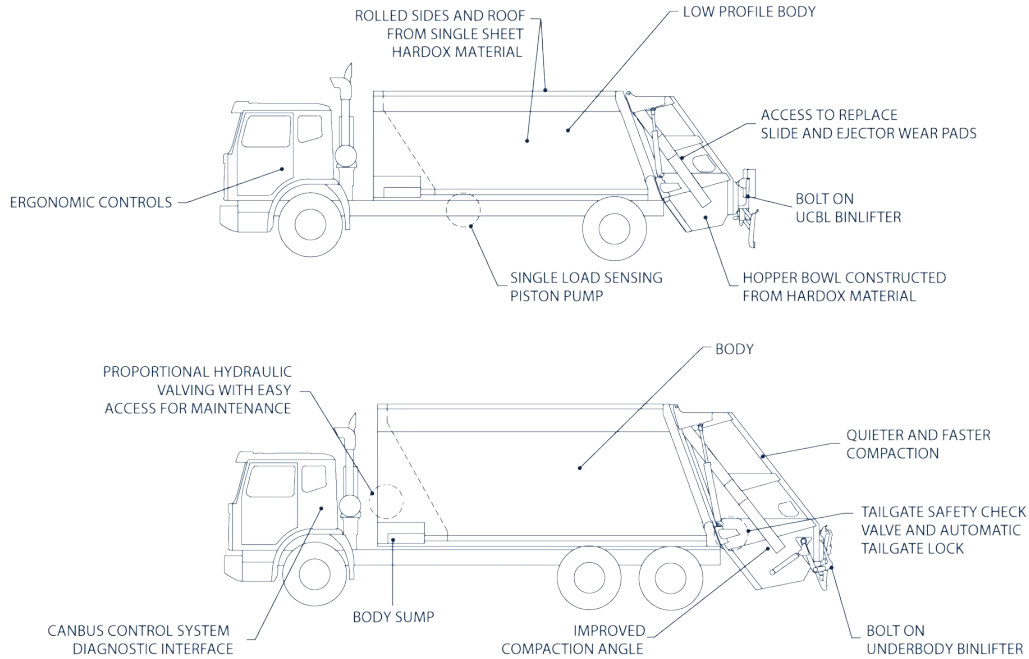


RANGE	SMALL		MEDIUM		LARGE	
MODEL	UR6	UR8	UR11	UR14	UR20	UR24
Body Capacity	6m <sup>3</sup>	8m <sup>3</sup>	11m <sup>3</sup>	14m <sup>3</sup>	20m <sup>3</sup>	24m <sup>3</sup>
Hopper Bowl Capacity	0.75m <sup>3</sup>	0.75m <sup>3</sup>	1.3m <sup>3</sup>	1.3m <sup>3</sup>	2.2m <sup>3</sup>	2.2m <sup>3</sup>
Body Length	3,911mm	4,611mm	4,875mm	5,675mm	6,495mm	7,295mm
Tailgate Width	2,052mm	2,052mm	2,150mm	2,150mm	2,150mm	2,150mm
Body Height (plus chassis)	1,500mm	1,500mm	1,800mm	1,800mm	2,300mm	2,300mm
Body Width	2,200mm	2,200mm	2,500mm	2,500mm	2,500mm	2,500mm
Body + Tailgate Weight	2,750kg	2,900kg	4,000kg	4,350kg	6,000kg	6,500kg
Payload*	2,000 - 2,500kg (Typical)	3,500 - 4,000kg (Typical)	4,000 - 4,500kg (Typical)	4,000 - 6,700kg (Typical)	10,000 - 10,500kg (Typical)	8,500 - 10,500kg (Typical)
Truck Type	7,500 - 9,000kg GVM	10,400kg GVM	12,000kg GVM	15,000kg GVM	22,500kg GVM	22,500kg GVM
Truck Wheelbase (Approximately)	3,365mm	4,250mm	4,250mm	5,000mm	5,200mm	5,200mm
Binlifter Application	UCBL Underbody	UCBL Underbody	UCBL Underbody Winch	UCBL Underbody Winch	UCBL Underbody Winch	UCBL Underbody Winch

\*Subject to loading conditions, waste type, cab chassis selection & body position

# Technical Specifications

Six body sizes 6m<sup>3</sup> through to 24m<sup>3</sup>



## UrBin Material Listing:

RANGE	SMALL		MEDIUM		LARGE	
MODEL	UR6	UR8	UR11	UR14	UR20	UR24
Body Side Sheets	Hardox 450, 3.2mm thk	Hardox 450, 3.2mm thk	Hardox 450, 3.2mm thk	Hardox 450, 3.2mm thk	Hardox 450, 3.2mm thk	Hardox 450, 3.2mm thk
Body Roof Sheets	Hardox 450, 3.2mm thk	Hardox 450, 3.2mm thk	Hardox 450, 3.2mm thk	Hardox 450, 3.2mm thk	Hardox 450, 3.2mm thk	Hardox 450, 3.2mm thk
Body Floor Sheets	Hardox 450, 3.2mm thk	Hardox 450, 3.2mm thk	Hardox 450, 4mm thk	Hardox 450, 4mm thk	Grade 350, 5mm thk	Grade 350, 5mm thk
Tailgate Bowl Sheets	Hardox 450, 4mm thk	Hardox 450, 4mm thk	Hardox 450, 6mm thk	Hardox 450, 6mm thk	Hardox 450, 6mm thk	Hardox 450, 6mm thk

## UrBin Features:

### Body:

- Six body sizes 6m<sup>3</sup> through to 24m<sup>3</sup>
- Rolled side roof & floor (clean skin)
- Single side & roof sheets from Hardox 450
- Hopper bowl constructed from Hardox material
- Tailgate safety check valve & automatic tailgate lock
- Improved compaction angle
- Quieter & faster compaction

### Control:

- Single load sensing, high capacity, piston type hydraulic pump
- CanBus control system with diagnostic interface
- Incab warning system covering:
  - Tailgate Open
  - High Oil Temp/Low Oil Level
  - Emergency stop activated
  - Bin lifter down warning (UCBL)
- Common hydraulic valving

### Lighting & Safety:

- Front & rear amber rotating beacons with guards
- High & low mounted LED taillights with guards
- Emergency stops to disable all functions

### UCBL Binlifter:

- UCBL capable of picking up 120,140, 240, 660 litre MGB's
- Bolt on options:
  - Enclosed hopper
  - Secure Waste

### Underbody Binlifter:

- Underbody capable of picking up 120,140, 240, 660 & 1100 litre MGB's
- Lifting capacity (MGB's) of 600kg
- 3 x 240 litre bin capacity
- 30% less moving parts
- Bolt on options:
  - Winch
  - Platform lifter
- Stronger & more reliable